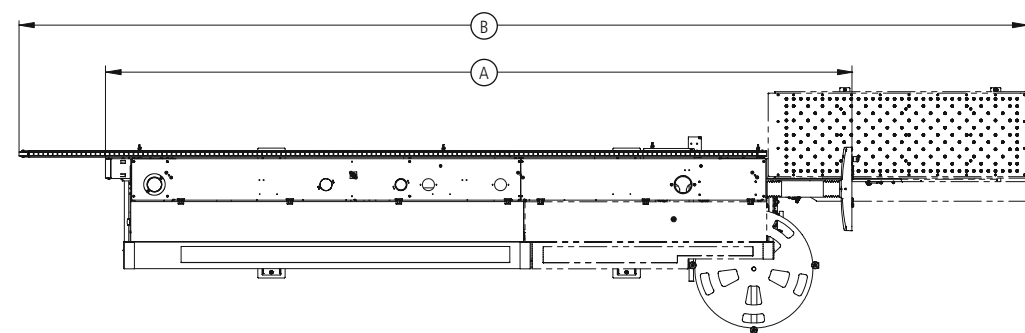
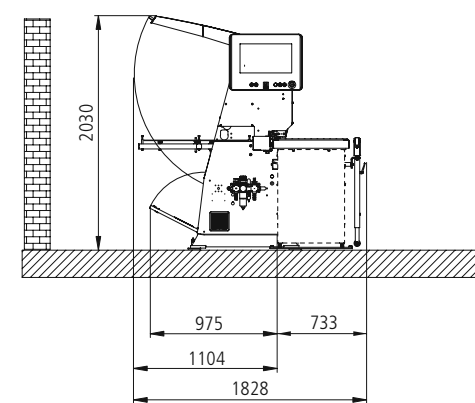
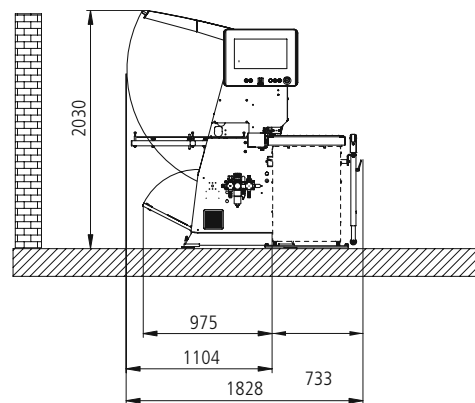
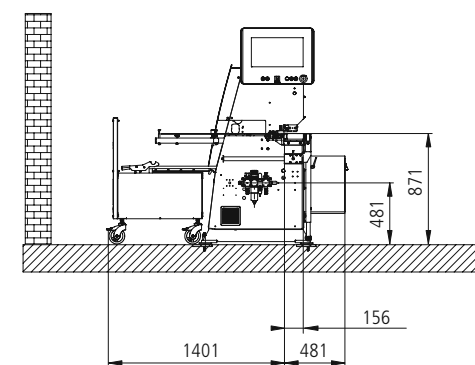
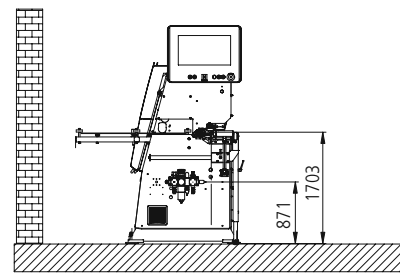


TECHNICAL DATA

	SPRINT 1327 multi	SPRINT 1329 multi	LUMINA 1375 multi	LUMINA 1380 multi
Machine dimensions				
Overall length A (mm)	5340	5740	5340	5740
Total length with air cushion table and extended discharge B (mm)	7150	7540	7150	7540
Width x height (mm)	1828 x 2030	1828 x 2030	1828 x 2030	1828 x 2030
Weight (kg)	1750	2000	1750	2000
Feed rate				
Feed rate (m/min)	10 – 18	10 – 18	10 – 18	10 – 18
Working dimensions				
Minimum workpiece length (mm)	160	160	160	160
Minimum workpiece width (mm)	60	60	60	60
Workpiece thickness (mm)	8 – 60	8 – 60	8 – 60	8 – 60
Edge width (mm)	0,4 – 8	0,4 – 8	0,4 – 8	0,4 – 8



Product brochures and many videos are available at www.holzher.com

Efficient Multifunction Milling Technology

SPRINT | LUMINA MULTI



The technical data specified is intended for reference only. HOLZ-HER woodworking machines are subject to constant development and are therefore subject to modification without prior notice. The illustrations are therefore not binding. Some of the machines shown also contain special equipment not included as a standard feature. For clarity, some of the machines are shown without protective hood.

Credits: AdobeStock.com – © Leo Lintang

UK – HOLZ-HER 3715 45 – Printed in Germany/Imprimé en Allemagne
Printed on: 22.05.2019 – First Edition: 26.04.2013

Your authorised HOLZ-HER Dealer

HOLZ-HER
A member of the WEINIG Group

HOLZ-HER GmbH
Plochinger Straße 65
72622 Nürtingen
Germany
T +49 (0) 70 22 702-0
kontakt@holzher.com
www.holzher.com

PRODUCTIVITY AND PRECISION



Multifunction milling technology – highly efficient and affordable

Customers are continuously demanding more customization and material variety. Multiple profile technology is essential for modern carpentry shops to implement such demands productively and profitably.

A perfect solution are the established HOLZ-HER SPRINT and LUMINA series with integrated multifunction milling technology with multiple stage tools and revolving tool magazines. This allows machining of various radiuses or applications with a 45° bevel at the touch of a button. The new equipment variant „multi“ reduces your setup times enormously and even allows production of small lots at any time.

SPRINT | LUMINA MULTI

Edge Control Touch

The HOLZ-HER Edge Control Touch provides extremely high performance and is exemplary for its simple operation. Ergonomic, simple and uniform tablet design.

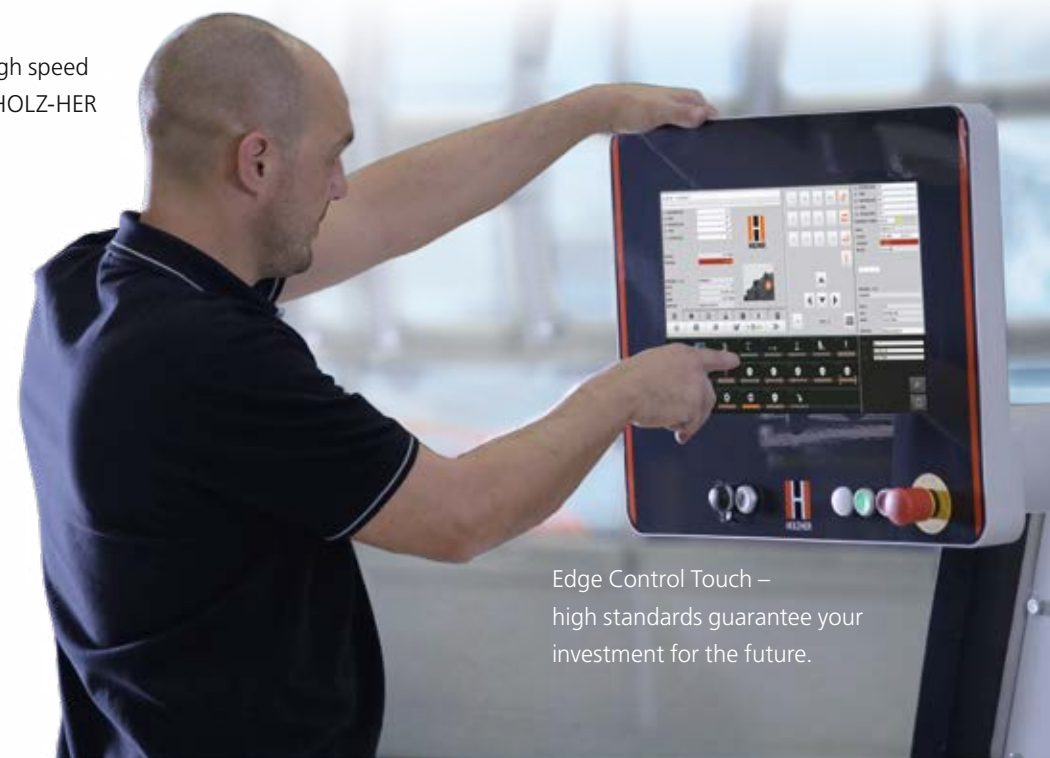
Highlights

- 18.5"-touch screen with 16:9 format.
- Electronically controlled set-up processes with 100 percent repetition accuracy.
- Barcode interface for automatic program call-up.
- Network connectivity.
- Online maintenance, high speed data interchange with HOLZ-HER service department.

fa.st.

With "fa.st. setting technology" you can carry out various operations simultaneously in your edge banding machine. For example, the corner copying unit can be brought in intelligently without having to empty the machine for the set-up process.

Connection to HOLZ-HER process data acquisition system for direct read-out of operating data (optional).



Edge Control Touch – high standards guarantee your investment for the future.



SPRINT 1327 MULTI | LUMINA 1375 MULTI

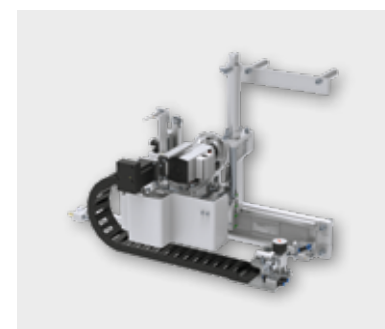
SPRINT 1329 MULTI | LUMINA 1380 MULTI



Multifunction cutting unit
6 Highspeed NC servo-axes
Multifunction cutting unit with inclined tracer rollers and linear guides. Select between 2 different profiles at the touch of a button.



Form trimming unit
with Highspeed NC servo-axis
Precise form trimming unit with linear guides for copying various edge profiles – including postformed profiles. Maximum workpiece thickness 60 mm.



Multifunction scraper unit
6 Highspeed NC servo-axes
Select between 2 different profiles at the touch of a button. For perfect smoothing of radiuses and chamfers on plastic edging.



Multifunction cutting unit
6 Highspeed NC servo-axes
Heavy-duty floor-mounted unit with multifunction milling technology. 100 percent repetition accuracy at the touch of a button based on zero-clearance mechanisms.



Form trimming unit 4 Highspeed NC servo-axes
Heavy-duty floor-mounted unit with linear guides. Incl. intelligent pneumatics for automatic adjustment of the processing pressure settings. Optionally available with 6 Highspeed NC servo axes and quattroForm® revolving tool magazine.



Glu Jet with iTronic –

The automatic edgebander control that adapts to your specific requirements.

With the Glu Jet iTronic solution, you get a complete package of automated intelligence for various applications on your edge banding machine. Adjustment errors and rejection rates reduce to a minimum.

The components for intelligent edge banding.



Adaptive Trimming Blade
Whether thin edge or strong veneer edge – always the right power.



Glue Quantity Control
MDF or chipboard – the adhesive application is always perfect.



Adaptive Pressure Unit
Solid wood or thin edge – the pressure combination always fits.



Automatic Cleaning Routine
Clean at the touch of a button.



Remaining Glue Quantity Indicator
Always know how much is left.